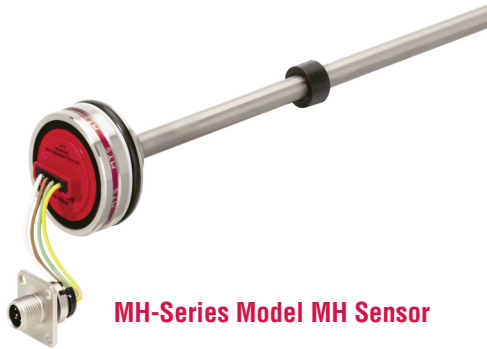
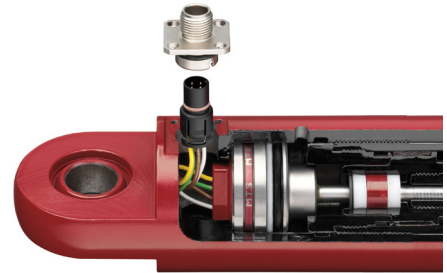


## MH-Series Mobile Hydraulic in-Cylinder Sensor Model MH PWM Output Data Sheet

Document Part Number  
551119 Revision C



MH-Series Model MH Sensor



Cylinder Application Example

### FEATURES

- Linear, Absolute Measurement in Hydraulic Cylinders
- Non-Contact Sensing Technology
- Superior Accuracy,  $< \pm 0.04\%$  F.S.
- Hysteresis  $< \pm 0.1$  mm
- Repeatability,  $< \pm 0.005\%$  F.S.
- Compact Design for Embedded Cylinder Applications
- PWM Output:
  - Selectable frequency: 50 to 500 Hz
  - Scaling: 5% to 95%, 25% to 75%
- Stroke length: 50 mm (2 in.) to 2500 mm (98 in.)
- Voltage input: 12/24 Vdc
- Shock Rating: 100 g (single hit) / IEC 68-2-27
- Vibration Rating 25 g / 10-2000 Hz/IEC 68-2-6
- 200 V/m EMI Immunity

### BENEFITS

- Rugged Mobile Sensor
- Direct PWM Output (Fully reversible)

### APPLICATIONS

- Continuous Operation In Harsh Mobile Conditions
- High Pressure Conditions
- For Welded and Tie-rod Cylinder Applications

### TYPICAL INDUSTRIES

- Construction
- Agriculture
- Off-highway Machinery

### Product overview

The MH-Series Model MH sensor is designed with the “mobile” world in mind. The Model MH sensor is validated in the field by customers worldwide. Performance is second-to-none with high EMI resistance of 200 V/m. Ruggedness is “designed in”; 100 g shock and 25 g vibration rating. The model MH PWM sensor can be fully sealed and embedded in a cylinder to ensure a long operating life. Direct connection to the Temposonics® M12x1 connector system and other proven mobile connectors are available.

## Product Specifications and Output

### Product specifications

Parameters	Specifications	Parameters	Specifications
<b>OUTPUT</b>		<b>ENVIRONMENTAL</b>	
<b>Measured variable:</b>	Linear Position measurement	<b>Operating conditions:</b>	<b>Operating:</b> -40 °C (-40 °F) to +105 °C (221 °F) <b>Storage:</b> -30 °C (-22 °F) to +105 °C (221 °F) 90% relative humidity, no condensation
<b>Output:</b>	<b>Direct PWM:</b> Displacement <b>Scaling:</b> 5% to 95%, 10% to 90%, 15% to 85%, 20% to 80%, 25% to 75% <b>Frequency (Hz):</b> 50, 60, 100, 200, 300, 400 and 500  <b>Consistent:</b> $\leq \pm 0.1$ mm <b>Signal output frequency:</b> PWM adjustable 1 ms to 65 ms	<b>EMC test:</b>	200 V/m: ISO 11452-5 ISO 14982 - Agriculture and forest machinery
<b>Stroke length:</b>	50 mm to 2500 mm (2 in. to 98 in.) Measured in 5 mm (0.20 in.) increments	<b>Shock rating:</b>	100 g (single hit)/IEC standard 68-2-27 (survivability) 25 g / 10 to 2000 Hz /IEC standard 68-2-6
<b>Linearity uncorrected:</b>	50 to 2500 mm $\leq \pm 0.1$ mm 255 to 2000 mm $< \pm 0.04\%$ full stroke (minimum $\pm 0.100$ mm 0.003 in.) $< \pm 0.08\%$ full stroke (for short damping zone) 500 mm $\leq \pm 0.2$ mm 750 mm $\leq \pm 0.3$ mm 1250 mm $\leq \pm 0.5$ mm 2005 to 2500 mm $\leq \pm 0.8$ mm	<b>Vibration rating:</b>	<b>Sensor rod, 10 mm (0.39 in.):</b> 25 g <b>Sensor rod, 7 mm (0.27 in.):</b> 15 g
<b>Repeatability:</b>	$< \pm 0.005\%$ of full stroke	<b>WIRING</b>	
<b>Hysteresis:</b>	$\pm 0.1$ mm (0.003 in.)	<b>Connection type:</b>	One 4-wire with the M12 x 1 connector and flange (provides IP69K environmental protection when installed in a cylinder).
<b>Cycle time:</b>	2 ms	<b>ROD STYLE SENSOR (Model MH)</b>	
<b>Setpoint tolerance:</b>	$\pm 0.2$ mm (0.007 in.)	<b>Material:</b>	<b>Sensor rod:</b> Stainless steel 1.4306 / AISI 304L <b>Housing:</b> Stainless steel 1.4305 / AISI 303 <b>Mechanical assembly:</b> Flange housing 48 mm (1.89 in.) dia., O-ring 40.87 x 3.53 mm NBR 80, backup ring 42.6 x 48 x 1.4 PTFE
<b>Operating voltage:</b>	12/24 Vdc (8-32 Vdc)	<b>Sealing:</b>	IP67 (IP69k when installed inside a cylinder with M12 x 1 in. connection type)
<b>Power drain:</b>	1 W	<b>Pressure rating:</b>	<b>Sensor rod, 10 mm (0.39 in.):</b> Operating, 350 bar (5076 psi) Peak, 530 bar (7687 psi)
<b>ELECTRONICS</b>		<b>Sensor rod, 7 mm (0.27 in.):</b> Operating, 300 bar (4350 psi) Peak, 400 bar (5800 psi)	
<b>Electrical isolation:</b>	500 Vdc (DC ground to machine ground)	<b>Magnet type:</b>	Ring magnet (See standard magnet selections)
<b>Polarity protection:</b>	Up to -36 Vdc		
<b>Overvoltage protection:</b>	Up to 36 Vdc		

### Output options

The MH-Series Model MH position PWM sensor provides consistent resolution with a adjustable signal output frequency of 1 to 65 ms.

Model MH sensor dimension references

Model MH, rod-style Sensor Drawing is for reference only, contact applications engineering for tolerance specific information.

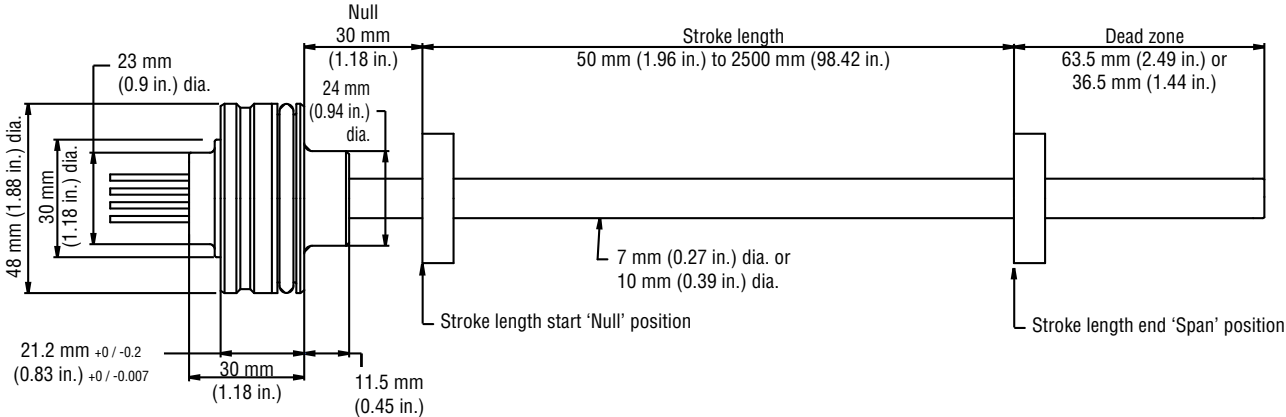


Figure 1. MH-Series Model MH rod-style sensor dimension reference

Standard magnet selections (Model MH)

SELECTION OF POSITION MAGNETS (MAGNET AND MAGNET SPACER MUST BE ORDERED SEPARATELY)

A choice of three magnets are available with the Model MH rod-style sensor. Magnets must be ordered separately with Model MH position sensors. The standard ring magnet (part number 201542-2) is suitable for most applications.

**STANDARD RING MAGNET**  
Part number 201542-2



**Material:** Ferrite PA  
**I.D.:** 13.5 mm (0.53 in.)  
**O.D.:** 33 mm (1.3 in.)  
**Thickness:** 8 mm (0.3 in.)  
**Operating temperature:**  
- 40 °C (-40 °F) to  
- 105 °C to (221 °F)

**MAGNET SPACER**  
Part number 400633  
(used with magnet part no.: 201542-2)



**Material:** Non-ferrous  
*Used with ring magnet (part no.: 201542-2)*  
**I.D.:** 14 mm (0.56 in.)  
**O.D.:** 32 mm (1.25 in.)  
**Thickness:** 3.2 mm (0.125 in.)

**RING MAGNET**  
Part number 400533



**Material:** Ferrite PA  
**I.D.:** 13.5 mm (0.53 in.)  
**O.D.:** 25.4 mm (1 in.)  
**Thickness:** 8 mm (0.3 in.)  
**Operating temperature:**  
- 40 °C (-40 °F) to  
- 105 °C to (221 °F)

**RING MAGNET**  
Part number 401032



**Material:** Ferrite PA  
**I.D.:** 13.5 mm (0.53 in.)  
**O.D.:** 17 mm (0.68 in.)  
**Thickness:** 8 mm (0.31 in.)  
**Operating temperature:**  
- 40 °C (-40 °F) to  
- 105 °C to (221 °F)

## Model MH Rod-Style Sensor

### Installation

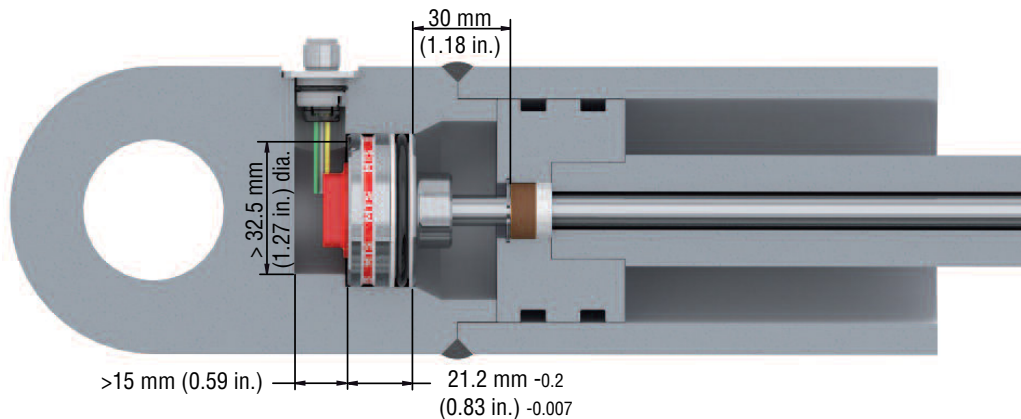
#### Model MH sensor installation references

The robust Temposonics Model MH sensor's new stainless-steel position sensor is designed for direct stroke measurement in mobile hydraulic cylinders. The Temposonics Model MH sensor can be installed from the head side or the rod side of the cylinder depending on the cylinder design.

#### Installation Notes:

1. Use a non-ferrous circlip to fix the magnet.
2. The piston rod bore is dependent on hydraulic pressure and piston velocity. Minimum drilling for a (10 mm rod) should be 13.5 mm.
3. There should be no less than 3 mm clearance between the end of the sensor rod and the bottom of the rod bore at full retraction.

**Model MH, rod-style sensor mechanical installation** Drawing is for reference only, contact applications engineering for tolerance specific information.

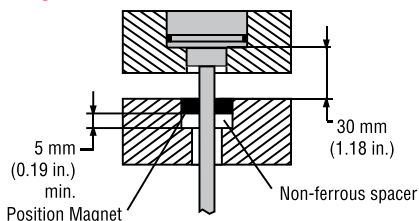


**Figure 2.** MH-Series Model MH rod-style sensor mechanical installation example

**Model MH, rod-style sensor installation** Drawings are for reference only, contact applications engineering for tolerance specific information.

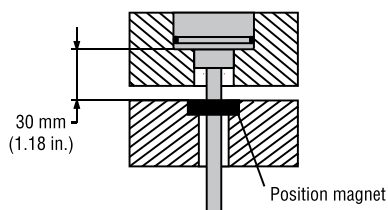
Installation methods are possible in magnetic and non-magnetic applications (shown in *Figures 3 and 4*) and are entirely dependent on the cylinder design. While the most common method of installation is from the rod side of the cylinder, installation from the head side of the cylinder is also possible. In both installation methods, the sensor seals the cylinder by using an O-Ring and backup ring which is installed on the sensor housing.

#### Magnetic material installation reference



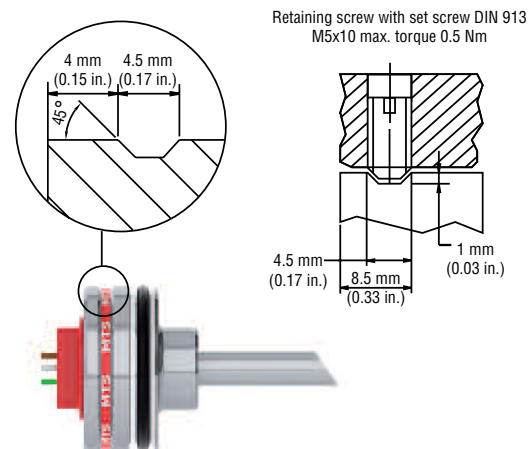
**Figure 3.** Model MH installation in magnetic material using a non-ferrous magnet spacer.

#### Non-magnetic material installation reference



**Figure 4.** Model MH installation in non-magnetic material without a non-ferrous magnet spacer.

#### Set screw detail

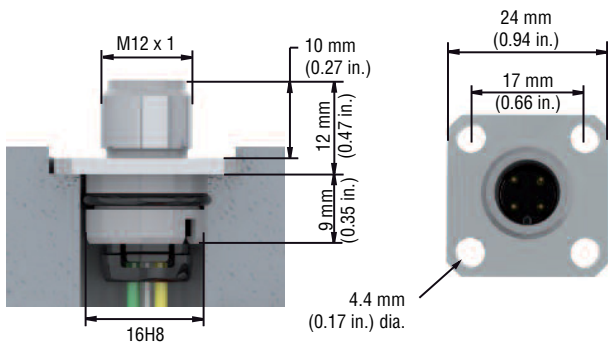


## Connections and wiring

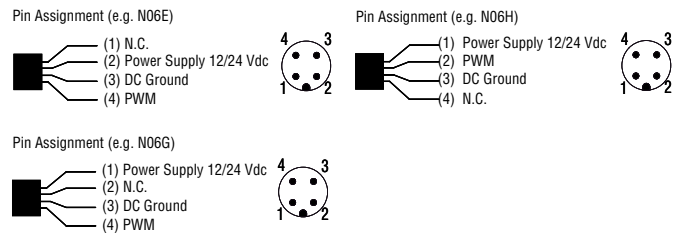
### CONNECTION TYPE

The Temposonics® M12 connector system (shown in *Figures 7, 8, 9 and 10*), meets the most stringent protection requirements important for the difficult environmental conditions of mobile hydraulics applications. Protection type IP69K makes the robust metal housing not only completely dust and waterproof, even the harshest cleaning measures cannot damage the sensor.

**Model MH, rod-style sensor connector and pin assignments** *Drawings are for reference only, contact applications engineering for tolerance specific information.*

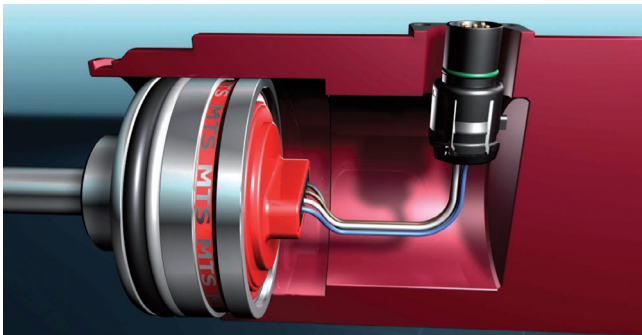


**Figure 5.** Model MH sensor connection dimensions

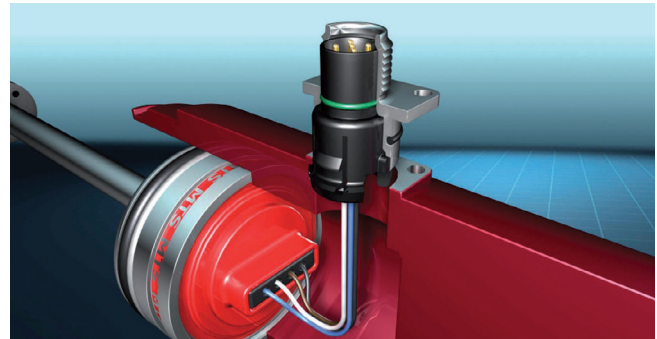


**Figure 6.** M12 x 1 connector system pin assignments

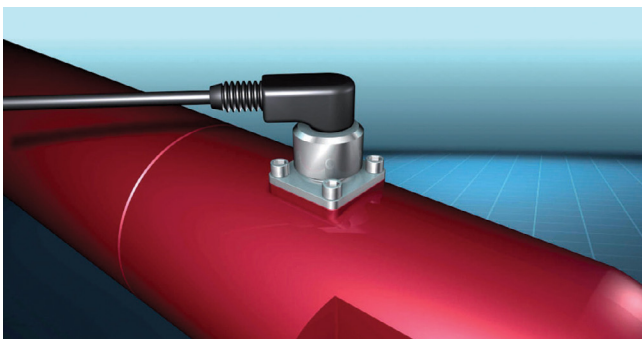
### MOUNTING THE CONNECTOR SYSTEM TO THE CYLINDER



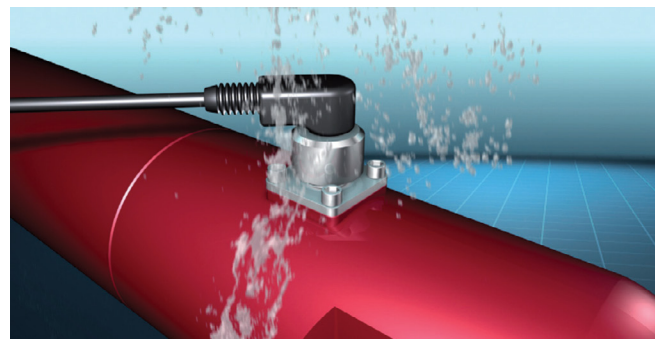
**Figure 7.** The MH sensor is delivered by MTS together with the new connector system: The connector insert carrier is already connected to the sensor electronics, i.e. no soldering, any color or connection mistake.



**Figure 8.** The connector insert is taken out of the cylinder through a bore hole. The flange housing can be snapped into position easily from outside.



**Figure 9.** Four standard screws must be tightened to mount the connector system on the cylinder.



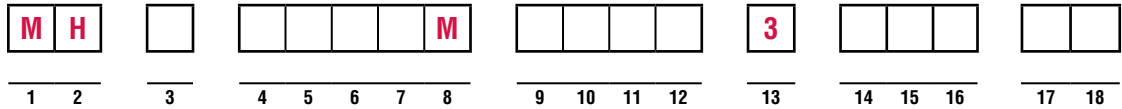
**Figure 10.** With a corresponding mating molded plug the connector system fulfills a ingress rating of IP69K.

# Model MH Rod-Style Sensor

## Ordering Information

### MH-Series Model MH ordering information

Use the table below to configure your sensor part number.



<b>SENSOR MODEL</b> _____ =		<b>M</b> <b>H</b>	<b>1-2</b>
<b>MH</b> = Rod-style with pressure fit flange housing 48 mm (1.88 in.) dia.			
<b>SENSOR STYLES</b> _____ =			<b>3</b>
<b>C</b> = Rod-style 10 mm (0.39 in.) dia. damping zone 63.5 mm (2.49 in.)	<b>F</b> = Rod-style 7 mm (0.27 in.) dia. reduced damping zone 36.5 mm (1.44 in.)		
<b>D</b> = Rod-style 7 mm (0.27 in.) dia. damping zone 63.5 mm (2.49 in.)			
<b>E</b> = Rod-style 10 mm (0.39 in.) dia. reduced damping zone 36.5 mm (1.44 in.)			
<b>STROKE LENGTH (ORDER LENGTH)</b> _____ =			<b>4-8</b>
----- <b>M</b> = Millimeters 50 to 2500 mm (in 5 mm increments)			
<b>CONNECTION TYPE</b> _____ =			<b>9-12</b>
<b>N</b> ___ = <b>Wire exit</b> Integral 'single wires', Each conductor: 0.5 mm <sup>2</sup> (20 AWG) <b>Termination type:</b>			
<b>N</b> __ <b>A</b> = Pigtail (stripped conductors) no termination			
<b>N</b> __ <b>E</b> = 4 single wires, M12x1 IP69K, 4 pin (pin assignment 2-3-4)			
<b>N</b> __ <b>G</b> = 4 single wires, M12x1 IP69K, 4 pin (pin assignment 1-3-4)			
<b>N</b> __ <b>H</b> = 4 single wires, M12x1 IP69K, 4 pin (pin assignment 1-3-2)			
<b>Wire length:</b>			
<b>06</b> = 60 mm (2.36 in.) min. wire length			
<b>25</b> = 250 mm (9.84 in.) max. wire length			
<b>Cable exit:</b>			
<b>T</b> ___ = 4 conductor / cable; integral PUR cable, pigtailed, 4 cables, shielded. Cable length ( first digit x 1m., second digit x 0.1 m.)			
<b>10</b> = 1.0 m length (standard all other lengths require minimum order quantities; 0.5 m min. to 9.9 max.: 0.1 m increments).			
<b>Termination type:</b>			
<b>A</b> = Pigtail (stripped conductors) for wire termination, contact factory.			
<b>INPUT VOLTAGE</b> _____ =		<b>3</b>	<b>13</b>
<b>3</b> = +12/24 Vdc			
<b>OUTPUT</b> _____ =			<b>14-16</b>
<b>P</b> ___ = PWM			
<b>15 digit span range</b>			
<b>A</b> = 5 to 95%	<b>D</b> = 20 to 80%		
<b>B</b> = 10 to 90%	<b>E</b> = 25 to 75%		
<b>C</b> = 15 to 85%			
<b>16 digit Frequency</b>			
<b>A</b> = 50 Hz	<b>E</b> = 250 Hz		
<b>B</b> = 60 Hz	<b>F</b> = 400 Hz		
<b>C</b> = 100 Hz	<b>G</b> = 500 Hz		
<b>D</b> = 200 Hz	<b>X</b> = Not defined		
<b>POLARITY AND FAILURE OUTPUT OPTION</b> _____ =			<b>17-18</b>
<b>17 digit - Output polarity (Default 1)</b>			
<b>1</b> = See page 7 diagram	<b>2</b> = See page 7 diagram	<b>3</b> = See page 7 diagram	<b>4</b> = See page 7 diagram
<b>18 digit - Failure output (Default H)</b>			
<b>H</b> = Output high	<b>L</b> = Output low	<b>M</b> = Square wave	

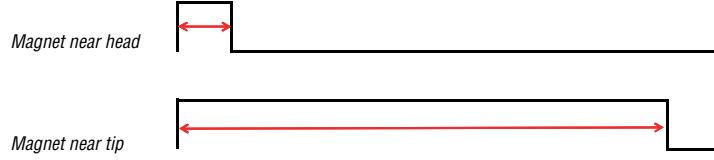
## Signal diagrams

Polarity and failure output options to complete order form digits 17 and 18 are listed below.

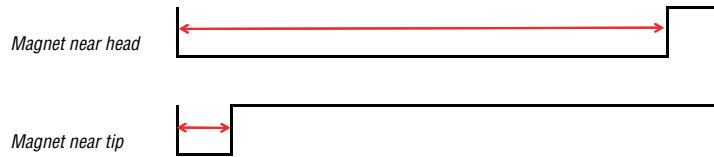
### Digit 17 - Output polarity (Default = 1)

Enter one of the options below for digit 17 for the direction and polarity of the signal:

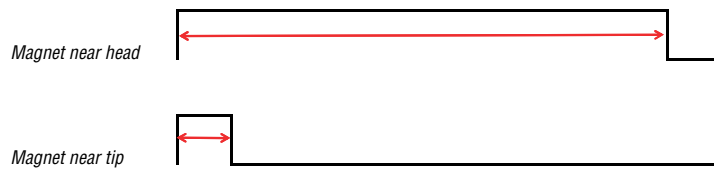
**1** = Measurement is from rising edge to falling edge, pulse width increases as magnet moves from head to tip (Default condition)



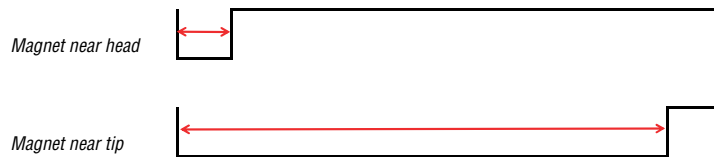
**2** = Measurement is from falling edge to rising edge, pulse width decreases as magnet moves from head to tip



**3** = Measurement is from rising edge to falling edge, pulse width decreases as magnet moves from head to tip



**4** = Measurement is from falling edge to rising edge, pulse width increases as magnet moves from head to tip



### Digit 18 - Failure output (Default = H)

Enter one of the options below for digit 18 to describe the action taken if the sensor stops reading the magnet:

**H** = Output goes high (5 Vdc, default condition)



**L** = Output goes low (0 Vdc)



**M** = Output is a square wave, 50% duty cycle at 1/2 PWM frequency (Digit 15)



## Magnet selections and optional Test kit

Magnets and the MH-Series Analog/PWM tester must be ordered separately. Refer to the table below for ordering information.

Magnet selections	Part no.
Ring magnet, O.D. 17.4 mm (0.68 in.)	401032
Ring magnet, O.D. 25.4 mm (0.99 in.)	400533
Ring magnet, O.D. 33 mm (1.29 in.)	201542-2
Magnet spacer (use with magnet part no.: 201542-2)	400633

Optional accessory	Part no.
MH-Series Analog/PWM Test kit	280618
<b>MH-Series Test kit contents:</b>	
<ul style="list-style-type: none"> <li>• MH-Series Analog/PWM Tester</li> <li>• 12 Vdc battery charger with (adapter main plug North America, adapter main plug EU, or adapter main plug UK)</li> <li>• Cable with M12 x 1 connector</li> <li>• Cable with pigtailed wires</li> <li>• Carrying case</li> <li>• CD-Rom with user's guide</li> </ul>	



**MH-Series Analog/PWM Tester, part no.: 280618**



National  
FLUID POWER  
ASSOCIATION  
MEMBER



Document Part Number: 551119, Revision C

### UNITED STATES

Temposonics, LLC  
Phone: +1 919 677-0100  
E-Mail: info.us@temposonics.com

### GERMANY

Temposonics GmbH & Co. KG  
Phone: +49 2351 9587-0  
E-Mail: info.de@temposonics.com

### ITALY

Branch Office  
Phone: +39 030 988 3819  
E-Mail: info.it@temposonics.com

### FRANCE

Branch Office  
Phone: +33 614 060 728  
E-Mail: info.fr@temposonics.com

### UK

Branch Office  
Phone: +44 79 21 83 05 86  
E-Mail: info.uk@temposonics.com

### SCANDINAVIA

Branch Office  
Phone: +46 70 29 91 281  
E-mail: info.sca@temposonics.com

### CHINA

Branch Office  
Phone: +86 21 2415 1000 / 2415 1001  
E-Mail: info.cn@temposonics.com

### JAPAN

Branch Office  
Phone: +81 3 6416 1063  
E-Mail: info.jp@temposonics.com